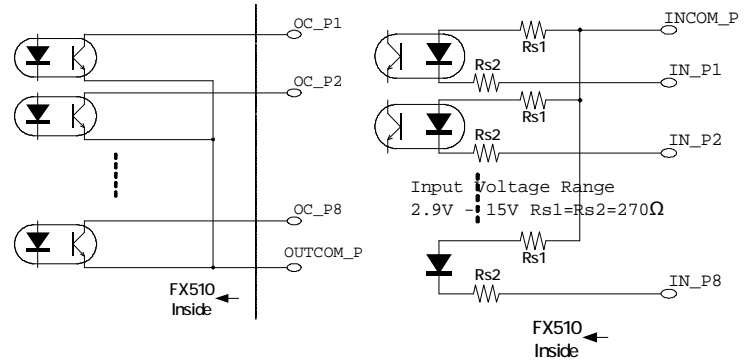


MW Macro ActiveX

Features

- 32 photo-coupler input circuit
(Triggered LED protection)
- 32 photo-coupler output circuit
- Preferred bits can be set retaining the other bits



FX510 Module Panel (Under the development)

Specification

Description	Details	Conditions
Photo-couplers used	TOSHIBA TLP521-4 or equivalent item	
Maximum activation voltage on the LED input side	15.0V	If = 25mA
Minimum activation voltage on the LED input side	2.9V	If = 3mA
Maximum reverse voltage on the LED input side	5.0V	Absolute maximum rating
Current range on the output side	1~10mA	
Applied voltage to the output side	5.0~24V	
Saturation voltage on the output side	0.4V (MAX)	
Operating temperature	0~40°C (≤80%RH)	
Storage temperature	-20~60°C (≤80%RH)	